



## Optimal productivity

- Continuous 360° turntable rotation
- Full proportional controls and simultaneous boom functions
- Narrow turning radius (3.9 m)
- Zero tailswing

## Outstanding rough terrain driving features

- 4 wheel steer and 4 wheel drive mean greater manoeuvrability
- Industry leading 13.5 m outreach
- Hydraulic differential lock
- 42 cm ground clearance

## Robust, reliable and easy to maintain

**Haulotte**   
GROUP

More than lifting





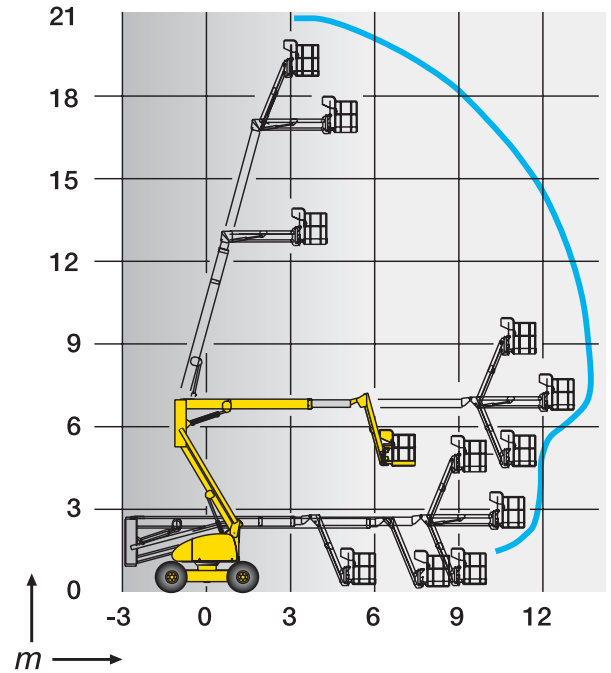
# HA20 PX

ROUGH TERRAIN ARTICULATING BOOMS

## TECHNICAL DATA

## HA20 PX

|                                   |                   |
|-----------------------------------|-------------------|
| Working height                    | 20.65 m           |
| Platform height                   | 18.65 m           |
| Horizontal outreach               | 13.5 m            |
| Up and over clearance             | 6.8 m             |
| Lift capacity                     | 230 kg            |
| <b>F</b> x <b>G</b> Platform size | 1.8 x 0.8 m       |
| <b>A</b> Length                   | 8.93 m            |
| <b>B</b> Width                    | 2.38 m            |
| <b>C</b> Height - stowed          | 2.67 m            |
| <b>H</b> Transport length         | 6.8 m             |
| Transport height                  | 3.1 m             |
| Vertical jib rotation             | 140° (+70/-70)    |
| Platform rotation                 | 180° (+90/-90)    |
| Turntable rotation                | 360°              |
| Tailswing                         | 0 m               |
| <b>D</b> Wheelbase                | 2.8 m             |
| <b>E</b> Ground clearance         | 42 cm             |
| Tilt                              | 5°                |
| Drive speed                       | 0.5 - 4.5 km/h    |
| Gradeability                      | 40 %              |
| Turning radius - outside          | 3.9 m             |
| Tires - foam-filled               | 385/65-22.5       |
| Power source                      | 33.2 kW - 45.1 hp |
| Weight                            | 11 710 kg         |



## STANDARD EQUIPMENT

- 4 wheel drive and steer
- Continuous 360° turntable
- Safe to use in winds up to 45km/h
- 150 l fuel tank; 1.50 m filling height
- 5° tilt alarm
- 12 V battery / electrical control system
- Auxiliary power in platform
- Brake release
- Hourmeter
- Slewing block pin
- Towing hooks / lifting eyes

## OPTIONS AND ACCESSORIES

- Power to platform
- 3.3 kW on-board generator (belt driven)
- Large platform 2.44 x 0.8m
- Travel alarm
- Rotating beacon
- Working light
- Catalytic exhaust
- Biodegradable hydraulic oil
- Cold weather package
- Warm environment kit
- Non marking tires
- Flashing light
- 60 km/h wind package (maximum capacity 250 kg ; machine weight 12,260 kg)

